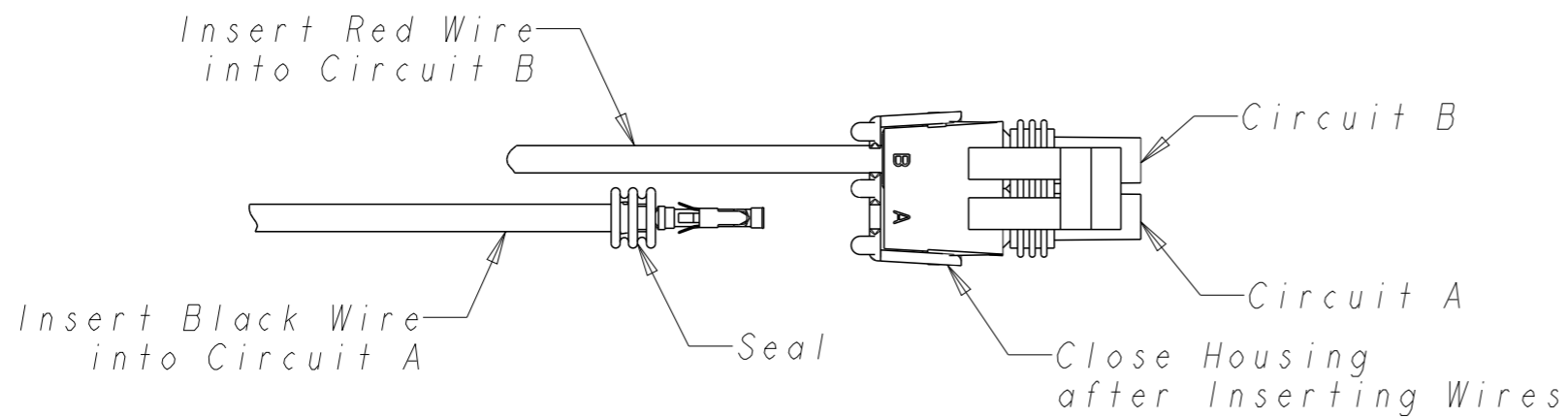
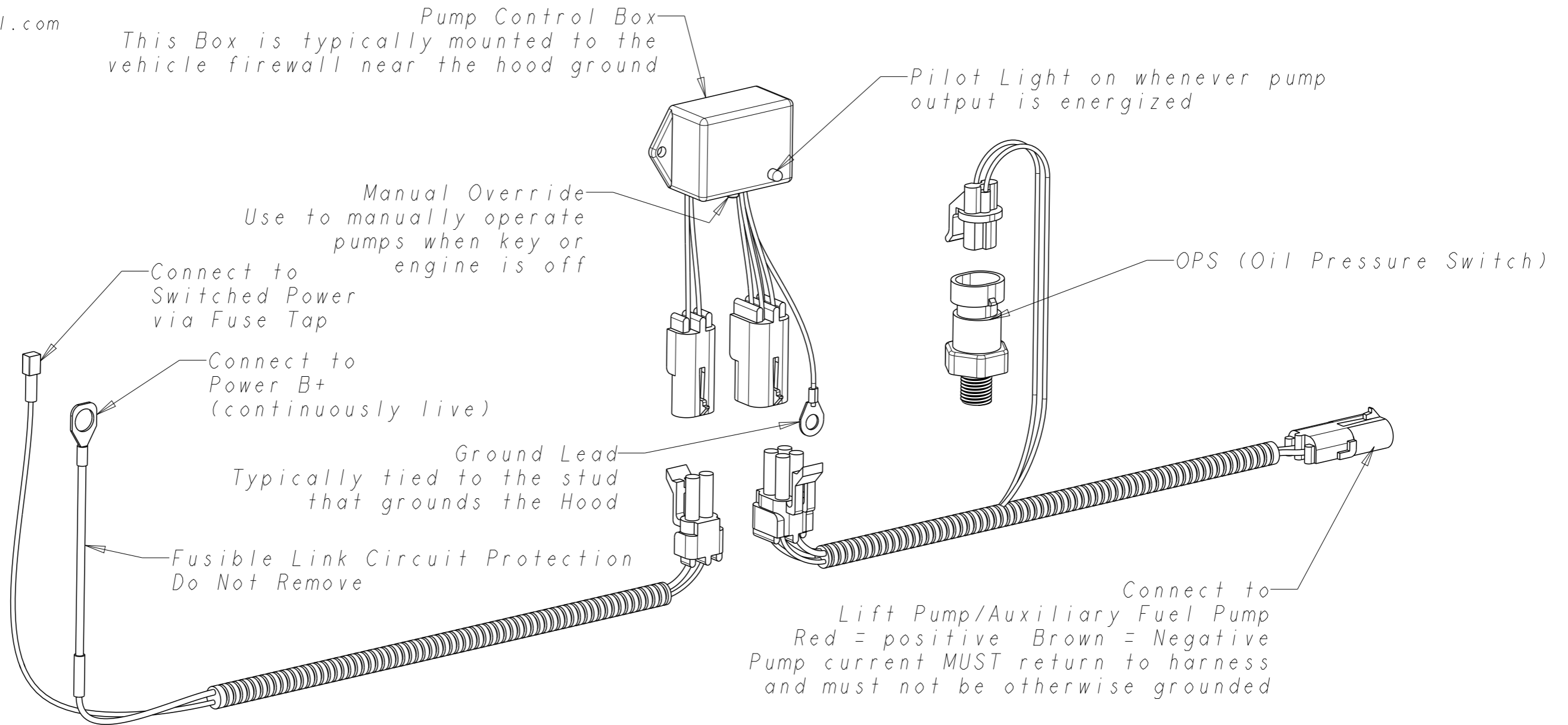


**Kennedy Sales and Service**

W3567 26 Rd  
 Loyal WI 54446  
 www.kennedydiesel.com  
 Ph: 715-255-9433



**Connector Detail**  
**SCALE 1:1**

*Twin Pump Detail*

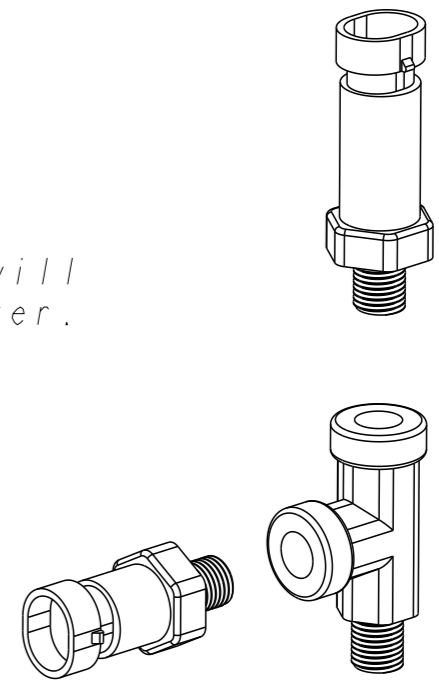
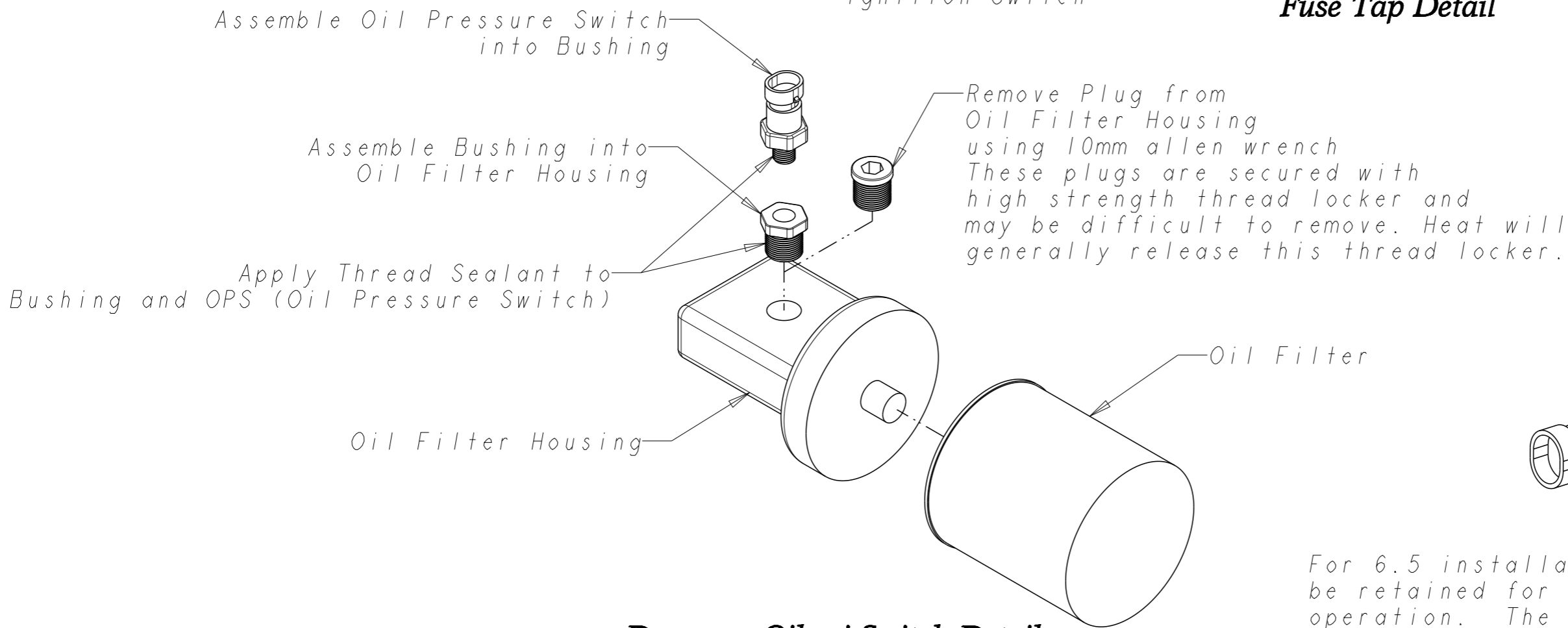
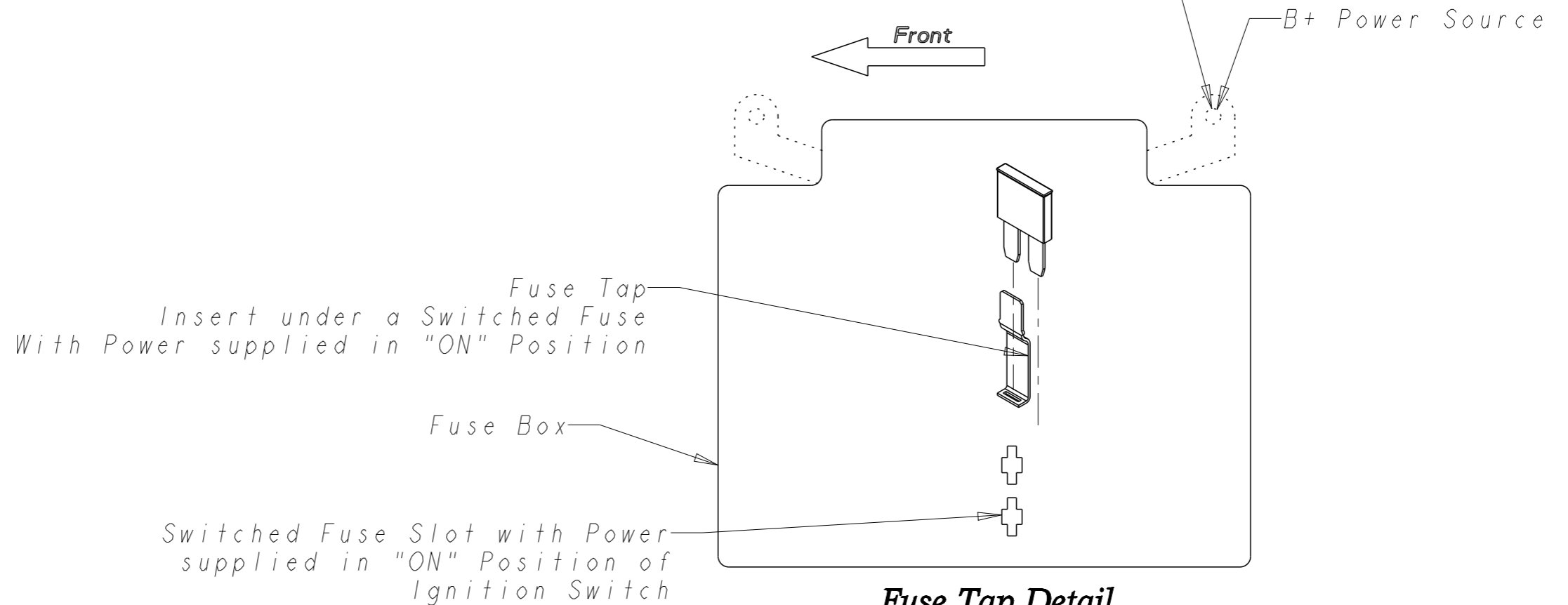


Crimp 2 Wires into each Terminal as shown above

**Kennedy Sales and Service**

W3567 26 Rd  
Loyal WI 54446  
www.kennedydiesel.com  
Ph: 715-255-9433

Duramax application: Remove Rear Drivers Side Fender Brace, Fuse Box Cover and Fuse Box Shroud to gain access to Stud 2(rear). Feed Ignition tap Wire under Fuse Box Shroud and connect to switched fuse with power in "ON" position.



For 6.5 installation, the factory OPS must be retained for proper dash gauge operation. The supplied unit can be installed to any port with oil pressure available including the tee method shown.